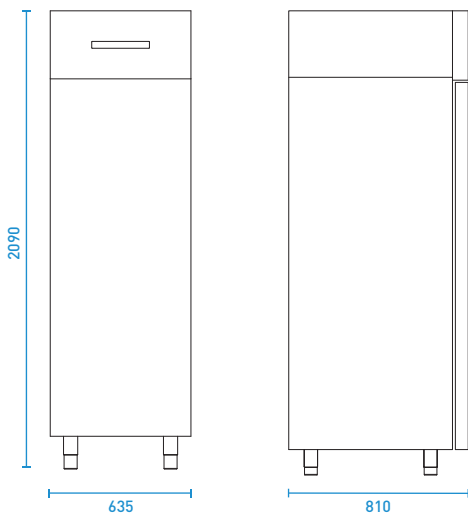


SG40

CABINET 20 TRAYS
 EN600X400 -10°C/-25°C
 30 ICE CREAM TUBS
 CONSERVATORE 20 TEGLIE
 EN600X400 -10°C/-25°C
 30 VASCLETTE



MODEL SG40
 CODE 530C0115

CAPACITY TRAYS
 CAPACITÀ TEGLIE
 20 trays 600 x 400
 20 teglie 600 x 400

CAPACITY LITERS
 CAPACITÀ LITRI
 450

OPERATING TEMPERATURE
 TEMPERATURA DI ESERCIZIO
 -10°C / -25°C

POWER REQUIREMENTS
 ALIMENTAZIONE ELETTRICA
 230V / 1Ph / 50Hz

EXTERNAL DIMENSIONS
 DIMENSIONI ESTERNE
 L:635 P/d:810 H:2090 mm

INTERNAL DIMENSIONS
 DIMENSIONI INTERNE
 L:495 P/d:660 H:1410 mm

POWER RATING
 POTENZA ASSORBITA
 0,865 Kw / 4,5 A

COOLING CAPACITY
 RESA FRIGORIFERA
 (-10°C / +45°C) = 1168 W
 (-30°C / +45°C) = 322 W

DEFROSTING
 SBRINAMENTO
 Electric / Elettrico

REFRIGERANT
 GAS REFRIGERANTE
 R452A (GWP 2141)

NET/GROSS WEIGHT
 PESO NETTO/LORDO
 145 kg / 155 kg

PACKAGING (WxDxH)
 MISURE IMBALLO
 650 x 860 x 2200 mm